

# THURLBY THANDAR INSTRUMENTS

## TG5011 & TG2511



### Advanced Function/Arbitrary/Pulse Generators

*Up to 50MHz sine and square, 1 $\mu$ Hz or 14 digit resolution*

*Arbitrary waveforms of up to 128K points at up to 125MS/s*

*True pulse generator with variable delay and variable rise/fall*

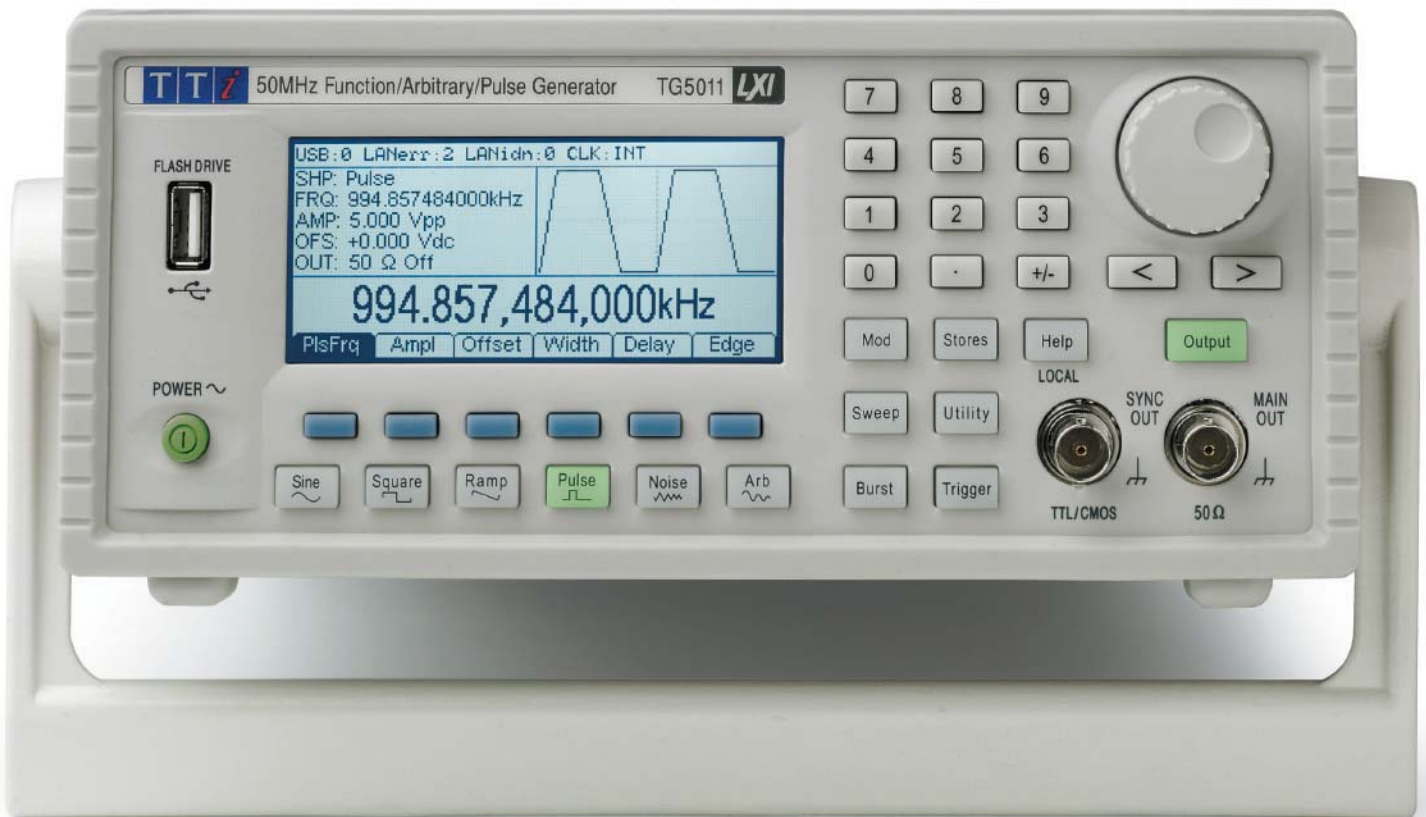
*Internal & external digital modulation, AM, FM, PM, PWM, FSK*

*Programmable via USB, GPIB and LXI compliant LAN interfaces*

[tti-test.com](http://tti-test.com)

# TGxx11 Series

## Function/Arbitrary/Pulse generators



<b>TG5011</b> 50MHz Sine & Square	<b>Pulse generator</b> period/width/delay variable rise/fall	<b>Arbitrary waveforms</b> 128K words/14 bits 125MS/s	<b>Complex waveforms</b> Pre-built waves for common applications	<b>AM FM PM FSK PWM</b> digital modulation internal/external	<b>USB</b> Flash Drive Storage
<b>TG2511</b> 25MHz Sine & Square	<b>Precision frequency</b> 14 digits / 0.001mHz 1ppm TCXO	<b>Wide range amplitude</b> 10mV to 10V pk-pk into 50Ω	<b>Versatile input/output</b> multi-function sync, trig. mod. clk.	<b>Compact case style</b> bench or system ½ rack 2U	<b>Graphic display</b> simultaneous waveform & text
<b>Noise generator</b> White Noise to 20MHz B/W	<b>Waveform manager+</b> PC based waveform creation & editing	<b>LAN ETHERNET</b> <b>LXI</b> LAN eXtensions for Instrumentation	<b>USB UNIVERSAL SERIAL BUS</b> <b>GPIB IEEE-488</b> OPTIONAL	<b>Sweep &amp; Burst</b>	<b>Phase locking</b> multiple generators / external reference

Click each icon for a detailed explanation

The TGxx11 Series represents the state-of-the-art in DDS based function generators.

The 50MHz TG5011 significantly outperforms other generators in its price range, not just because of its frequency range, but because of its all round performance and features.

The TG2511 incorporates a similar feature set at a still lower cost and represents exceptional value for those with lower frequency requirements.

TTi manufactures a wide range of function, arbitrary and pulse generators from lower frequency analog units to multi-channel variable clock arbitrary generators.

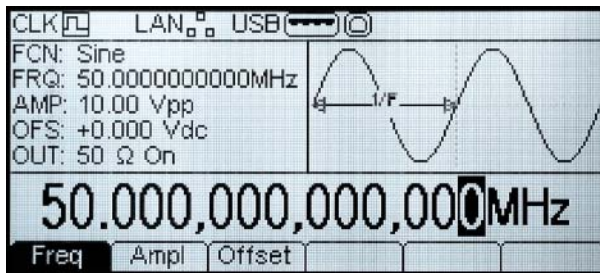


Measurably better value



## Higher Waveform Frequencies

The TG5011 out-performs other generators in its price range by offering both sine and square waves up to 50MHz. The lower cost TG2511 operates to 25MHz.



### Exceptional frequency precision

The frequency of these waveforms can be set with up to 14 digits or one micro hertz of resolution.

The DDS based frequency generation system uses a TCXO timebase oscillator with a stability of 1ppm.

### Waveform Quality

The TG5011 and TG2511 generate high purity sine waves with low harmonic distortion and low phase noise. Square waves have a rise time of below 8ns (13ns on TG2511) and low overshoot. Variable symmetry can be used up to 25MHz.

### Triangle and Ramp

High quality triangle and variable symmetry ramp waveforms are available up to 500kHz (TG5011) or 250kHz (TG2511).

These waveforms are also available at higher frequencies via the arbitrary function but without symmetry adjustment and with reduced waveform quality as the frequency increases.

### VLF generation

The high resolution of the DDS system means that very low frequencies can be set. For example, a frequency of around 1mHz could be set with a resolution of 0.1% and a stability of 1ppm.

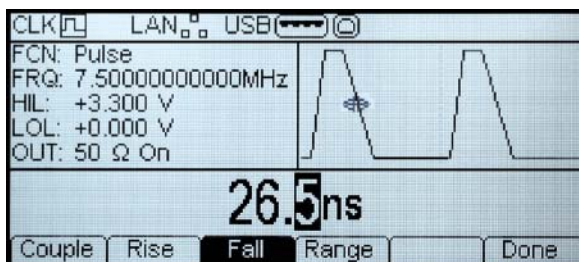


## Full Pulse Generator capabilities

Both models incorporate a pulse generator mode which provides wide range pulse width and delay independent of period. Rise and fall times (edge speeds) are also fully variable.

### Wide-range repetition rate

On the TG5011, the pulse period can be set between 80ns and 2000 secs. (0.5mHz to 12.5MHz) with a resolution of 14 digits or 1µHz. On the TG2511, the minimum pulse period is 160ns (6.25MHz).



### Fully variable pulse Width and Delay

Pulse width and pulse delay can be independently set to a resolution of 10ns. Minimum pulse width is 20ns and duty cycles can be as low as one in two billion.

Note that display screens on this page are shown at around 80% of actual size.

## Independently variable Rise and Fall

The generators offer very fast edge speeds of better than 8ns on the TG5011 or 13ns on the TG2511, but the edges can be slowed down to simulate slower pulses.

Rise and fall times are independently variable in the range 5ns to 40us (10ns to 40us on the TG2511), or can be linked so that both edge speeds are the same.

### Trigger, Burst and Gate

As with all other waveforms, pulses can be triggered from an external trigger input (or manual trigger, the internal trigger generator or a Bus command).

Burst mode creates a burst of between one and a million pulses in response to each active edge of the trigger.

Gated cause pulses to be generated only when the gate signal is true. The gate source can be external or internal exactly as the trigger signal.



## Arbitrary Waveforms

Both generators offer DDS generated arbitrary waveforms capability. A number of standard waveforms are included, and up to four user defined arbitrary waveforms can be stored in the instrument at any one time.

### 14 bits, 128k words, 125MS/s

Waveforms have a vertical resolution of 14 bits (16,384 amplitude levels). Waveforms can be created using between 2 and 131,072 points (128k).

The sampling rate is 125MHz and DDS techniques are used to provide any repetition rate between 1uHz and 10MHz (TG5011) or 6MHz (TG2511) with up to 14 digits of frequency resolution.



### Internal and External Waveform Storage

Up to four user defined waveforms totalling up to 256k words can be stored within the permanent internal memory of the instrument.

However, a front mounted USB port enables external Flash memory storage of up to 1000 waveforms of any size.

This memory stick also provides a quick and convenient method for transferring waveform files to and from a PC. It can also be used for storing instrument set-ups.

### Pre-built Complex Waveforms

Commonly used complex waveforms are provided both built-in to the instrument and for loading into the user defined waveform space.

These include sin(x)/x, exponential rise and fall, logarithmic rise and fall, gaussian, lorentz, haversine and cardiac waveforms.

### Waveform Creation & Editing

Arbitrary waveforms can be created and edited using the simple tools built into the instrument. However, complex waveforms require an external PC based editor.

Both instruments are supplied with Waveform Manager Plus for Windows® which provides the most comprehensive set of waveform tools available including a mathematical expression editor, freehand drawing, waveform libraries, and import of waveforms using the Clip Board.

More information is provided on Page 5 of this brochure.



## USB Flash Drive Interface

Both instruments incorporate a front mounted USB socket for connection of flash memory disk drives which can store up to 1,000 waveforms and 1,000 setups.

### Unlimited Waveform Storage

These drives can be used both to store waveforms permanently and to transfer waveforms from or to a PC.

Arbitrary waveform storage within the instrument is limited to four waveforms. Each flash drive can store up to 1000 waveforms which can be accessed using the instruments file handling utilities.

Local: Waveforms		Disk: Waveforms	
➔ 3RD-HARM	4096	➔ 3RD-HARM	4096
2 START-3	16000	RING-432	131072
3 TEMP14	250	START-3	16000
4 ARB4	4	STOP-3A	1600
		TEMP14	250
Setup	Disk	Copy	Delete

### Storage of Instrument Set-ups

Up to nine complete set-ups of the instrument can be stored within its own non-volatile memory. Up to 1000 further set-ups can be stored on each flash drive.



## Digital Modulation, Internal & External

Both generators offer a comprehensive set of digitally based modulations.

The internal modulation source can use any of the standard or arbitrary waveforms currently within the generator (including noise) thus removing the need for an external modulation source. A modulating frequency between 1µHz and 20kHz can be specified.

An external modulation input enables any external waveform source to be used when required. The external bandwidth is DC to 20kHz.

### AM, FM and PM

Sine, square, ramp or arbitrary waveforms can be modulated using amplitude, frequency or phase modulation.

Amplitude depth is variable from 0.0% to 120.0%, frequency deviation from zero to Fmax/2, and phase deviation from -360.0 to +360.0 degrees.

FCN: Sine AM	
FRQ: 10.0000000000MHz	
MODFRQ: 1.00kHz	
DEPTH: 100.0 %	
SHAPE: Exp Rise	
<b>Exp-Rise</b>	
Exp	Log
Arb1	Arb2
➔	Done

### PWM

Pulse width modulation is available for the pulse function using any standard or arbitrary waveform including noise. Pulse width deviation is variable between 0% and 100%.

### FSK

Frequency shift keying between any two frequencies is available for sine, square, ramp or arbitrary waveforms using the internal trigger generator or an external trigger signal.

The internal trigger generator is variable between 2mHz and 1MHz with nine digit resolution.



## Sweep and Burst

Sweep, Burst and Gated modes of operation are available using either an external trigger signal or the internal trigger generator.

### Wide range Frequency Sweep

Phase continuous sweep is available for all standard and arbitrary waveforms except for pulse. The sweep range is from 1µHz through to the maximum for the chosen carrier waveform. Start and stop frequencies can be set independently.

The sweep can be linear or logarithmic, triggered or continuous with a period between 1ms and 500s. The sweep trigger can be manual or internal from the trigger generator or external from the trigger socket or from a remote interface command.

A marker is provided that outputs an edge synchronous with any frequency point within the sweep.

FCN: Sine Burst	
FRQ: 2.55500000000MHz	
TYPE: 3 Cyc	
PHASE: +0.0 °	
TRIGGER: 1.0ms Pos	
<b>3 Cyc</b>	
Type	Count
Phase	Period
Slope	Source

### Triggered Burst

In Burst mode, each active edge of the trigger will produce one burst of the waveform.

The number of cycles in a burst can be set between 1 and 1,048,575 (or infinite). The burst starts and ends at a waveform phase angle settable between -360.0 to +360.0 degrees.

### Trigger signal

The trigger signal can be manual from the front panel key, internal from the internal trigger generator, external from the trigger-in socket, or remote via a bus command.

The trigger-in socket has a nominal TTL threshold and can be set to +ve edge or -ve edge triggering. The minimum trigger pulse width is 50ns.

The internal trigger generator is variable between 2mHz and 1MHz with 9 digit resolution.

### Gated

In Gated mode the waveform runs only when the gate signal is true. The start point of the waveform is settable from -360.0 to +360.0 degrees and a the last cycle is completed after the gate signal goes false.

All of the options available for triggering are available for gating. The trigger-in socket can be set as high or low for true.



## Noise Generation

Both models can generate gaussian white noise to a -3dB bandwidth of 20MHz. The noise generation algorithm achieves a high crest factor (peak to rms ratio) of 5.27.

### Adding Noise to a waveform

Noise can be added to any waveform except pulse. The amount of noise added can be specified as 0% to 50% of the amplitude of the carrier waveform.

### Modulating with Noise

Noise can be used as the modulating waveform for AM, FM, PM or PWM modulations using any of the carrier waveforms allowable for that modulation type.



## Locking to Other Sources

Both the models include external reference and phase locking as standard, unlike some competitor products for which they are an expensive option.

### External Frequency Reference

The generators use a high quality TCXO crystal as the internal frequency reference providing 1ppm accuracy and stability.

If a higher accuracy or stability is required, an external 10MHz reference signal (from an off-air standard for example) can be applied to the Ref. Clock input.

### Phase Locking Two Generators (or more)

Two generators can be synchronised together to provide outputs at the same frequency (or at harmonics) and with a phase difference.

The amplitude and phase of these outputs can also be modulated providing the capability to perform QAM and QPSK respectively.

Any waveform other than pulse can be used, and the phase difference is adjustable between -360.0 and +360.0 to a resolution of 0.1 degrees. Skew is better than 5ns.

It is also possible to synchronise more than two generators but the resulting precision is not specified.



## Full Remote Control

All functions of the generators can be controlled from the digital interfaces. Arbitrary waveform data can also be loaded using these interfaces.

An IVI driver for Windows is supplied. This provides support for common applications such as LabView\*, LabWindows\* and HP-VEE\*.



The LAN interface uses a standard 10/100 base-T Ethernet hardware connection with ICMP and TCP/IP Protocol for connection to a Local Area Network or direct connection to a single PC.

This interface supports LXI and is the most appropriate for larger system use because of its scalable nature.



The LAN interface is compliant with LXI (LAN eXtensions for Instrumentation) class C.

LXI is the next-generation, LAN-based modular architecture standard for automated test systems managed by the LXI Consortium, and is expected to become the successor to GPIB in many systems.



USB provides a simple and convenient means of connection to a PC and is particularly appropriate for small system use. USB has effectively replaced RS232 in many applications.

The interface uses a standard USB 2.0 hardware connection and is implemented as virtual-COM port. A Windows\* USB driver is provided.

As well as the rear mounted USB device interface connector, a front mounted USB Host interface connector allows USB Flash memory to be connected.



G versions of the products are fitted with a GPIB (IEEE-488) interface. They retain both the other interfaces, giving them even greater flexibility.

\* LabView and LabWindows are trademarks of National Instruments.

HPVEE (now Agilent VEE) is a trademark of Agilent Technologies.

\* USB interface is supported for Windows 2000, XP, Vista and Windows 7.

Windows is a trademark of Microsoft Inc.



## High Waveform Quality

The high waveform quality with its low aberrations is available over a wide amplitude range of 20mV to 20V pk-pk emf (10mV to 10V into 50Ω).

DC offset is provided independently of waveform attenuation so, for example, a waveform amplitude of millivolts can be combined with a dc level of volts.

### Intelligent Amplitude Display

Amplitudes can be displayed as peak to peak or as RMS values, with the rms being correctly calculated for the waveform shape. RMS values can alternatively be specified in dBm.

If preferred values can be entered in terms of high level and low level instead of amplitude and offset.

The amplitudes are shown relative to the selected load impedance which is 50Ω (or High-Z) by default, but can be selected as any impedance between 1Ω and 10kΩ.



## Multi-function Sync Output

The Sync output provides a logic level signal that can perform a number of functions intended for synchronisation with external equipment:

Normal Waveform Sync	Modulation Sync
Burst Sync	Sweep Sync (with sweep marker)
Trigger Signal Out	Phase Lock (for 2nd generator)

The signal type can be selected manually or automatically dependent upon the function in use.

### Rear Panel Inputs and Outputs

In addition to the digital bus interfaces, the rear panel carries four I/O sockets:

External Modulation Input - for AM, FM, PM and PWM external modulation.  
 Trigger Input - for external triggering of Burst, Gated or Sweep waveforms.  
 Reference Clock Input - for use with an external frequency reference or phase locking of two generators.

Reference Clock Output - a buffered version of whichever clock (internal or external) that the generator is using.



## Waveform Manager Plus

Waveform Manager Plus is a Windows\* based application for creation, editing and management of arbitrary waveforms using a PC

It incorporates a complete suite of tools for waveform creation and editing including standard waveforms, mathematical expressions and freehand drawing. Virtually any waveform can be created using combinations of these tools.

### Mathematical Expression Editor

The sophisticated mathematical expression editor allows geometric, logarithmic and pulse functions to be combined to create exact representations of complex signals.

Different expressions can be used for different sections of a waveform and can be combined with imported waveforms or drawn waveforms where mathematical representation is not possible.

### Import of Other Waveforms

The program offers direct import from .csv files, the most commonly used format for graphical description. Additionally a Clipboard import function supports any waveform that can be described by a set of Y-axis data points regardless of their format.

Any instrument or waveform generating program that can create a list of Y values can therefore be accommodated. This is a highly flexible method which can be used to create arbitrary generator waveforms from signals captured by instruments such as oscilloscopes and network analysers, or from software such as MathCad.

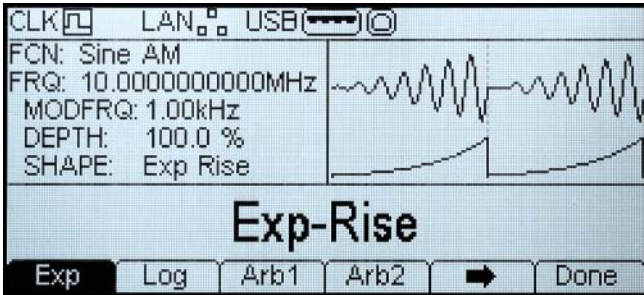


## High Resolution LCD

The 3.6" diagonal panel uses 256 x 112 pixels and provides a large amount of simultaneous information.

System connection information is shown on the top line. Below that is a general status screen showing five major parameters. These parameters change depending upon the function being used.

Below the status information is the main editing line which shows the parameter currently under control.



NOTE: The above display is shown Actual Size

## Representative Waveform Display

The area to the right of the status section shows a representation of the current waveform.

This is more than just a fixed display for each waveform, it is calculated from the waveform parameters and gives a live indication when values such as symmetry, rise time or pulse width are changed.

Even user defined arbitrary waveforms are shown (subject to the limitations of the display resolution).

Modulation waveforms and representations of the modulated carrier are shown simultaneously. Burst count waveforms are also shown graphically.

## Soft Key Control

Six soft keys below the display provide access and control of the parameters for each function.

All numeric parameters can be set directly from the numeric keypad, or can be changed using the spin wheel.



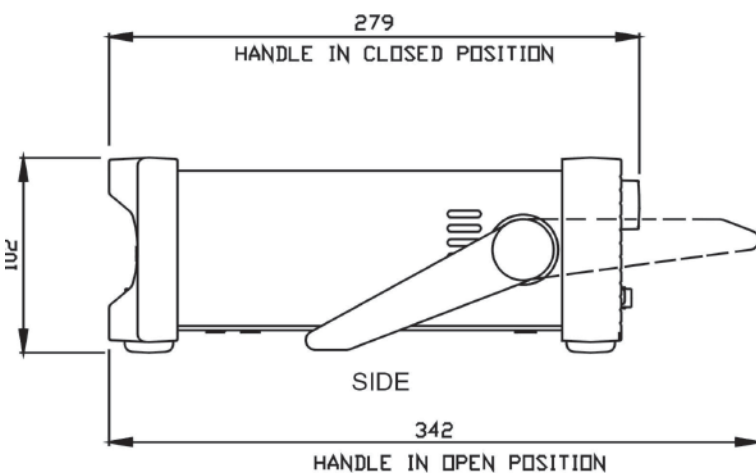
Period entry can be chosen instead of frequency, and amplitude and offset can be changed to Hi and Lo levels.

Frequencies can be entered in any units from uHz to MHz, periods from ns to seconds, and amplitudes in mV or V, rms or pk-pk, or in dBm



The currently selected waveform and major functions are also indicated by illumination of the respective keys.

## Mechanical Drawings



## Bench-top Operation

The generators are highly compact and use a minimum of bench space.

Protective mouldings guard against knock damage and a multi-position stand angles the instrument conveniently as well as providing a carry handle.



## Rack Mounting

For system applications the generators can be rack mounted.

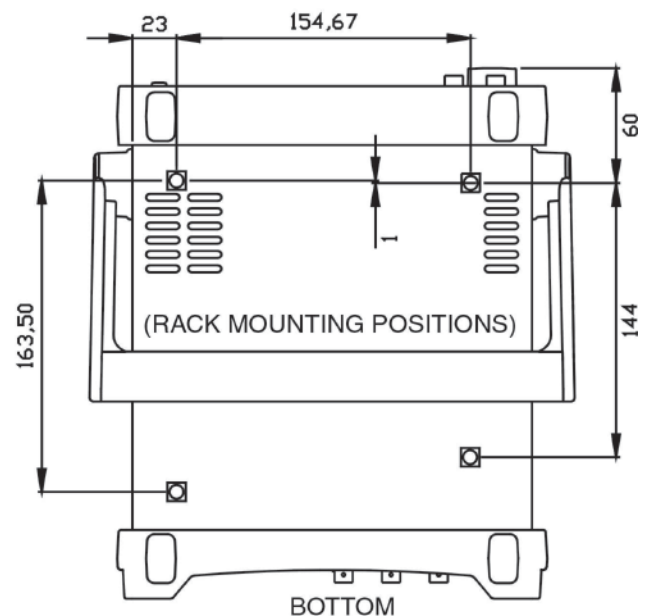
With the protective mouldings and handle removed the size is half rack width by 2U high.



A 2U rack mounting kit is available suitable for one or two instruments.



Rear panel mounts the digital interfaces and the rear I/O connectors. (Note: GPIB interface is only fitted to suffix G models)



# TG5011 & TG2511 - Technical Specifications

## STANDARD WAVEFORMS

### SINE

Note that purity specifications above 25MHz apply only to the TG5011.

Frequency Range:	1µHz to 50MHz (TG2511 - 1µHz to 25MHz)	
Frequency Resolution:	1µHz, 14 digits	
Output Level:	10mVp-p to 10Vp-p into 50Ω	
Amplitude Flatness		
Relative to 1kHz:	<100kHz 0.1dB, <5MHz 0.15dB, <25MHz 0.3dB, <50MHz 0.5dB	
Harmonic Distortion:	<1 Vp-p	> 1Vp-p
	-65dBc	-65dBc
	20kHz to 100kHz	-60dBc
	100kHz to 1MHz	-45dBc
	1MHz to 25MHz	-40dBc
	25MHz to 50MHz	-40dBc
		-28dBc
Non-Harmonic Spuri:	<-60dBc to 1MHz, <-60dBc + 6dB/octave 1MHz to 50MHz	
Phase Noise:	-115dBc/Hz, typical (10kHz offset)	

### SQUARE

Frequency Range:	1µHz to 50MHz (TG2511 - 1µHz to 25MHz)	
Resolution:	1µHz, 14 digits	
Output Level:	10mVp-p to 10Vp-p into 50Ω	
Rise and Fall Times:	<8ns (TG2511 - <13ns)	
Overshoot:	<5%	
Variable Duty Cycle:	20% to 80% to 10MHz, 0.1% resolution, 40% to 60% to 25 MHz, 0.1% resolution, 50% (fixed) above 25MHz	
Asymmetry:	1% of period + 5ns (@ 50% duty)	
Jitter (RMS):	0.5ns + 100 ppm of period	

### RAMP & TRIANGLE

Frequency Range:	1µHz to 500kHz (TG2511 - 1µHz to 250kHz)	
Resolution:	1µHz, 12 digits	
Output Level:	10mVp-p to 10Vp-p into 50Ω	
Linearity Error:	<0.1% to 30 kHz	
Variable Symmetry:	0.0 % to 100.0 %, 0.1% resolution. Single key operation of 50% (Triangle)	

Note the triangle and sawtooth waveforms are also available from the arbitrary waveform menu enabling repetition rates of up to 10MHz/6MHz. Waveform quality will deteriorate at higher frequencies however.

### PULSE

Frequency Range:	500 µHz to 12.5MHz (TG2511 - 500 µHz to 6.25MHz)	
Resolution:	1µHz, 14 digits	
Output Level:	10mVp-p to 10Vp-p into 50Ω	
Overshoot:	<5%	
Jitter:	300ps + 0.01% of period	
Rise/Fall Times:	Rise and Fall times can be independently varied or can be varied together simultaneously.	
Edge Range:	<8ns to 40µs (TG2511 - <13ns to 40µs)	
Edge Resolution:	0.1 ns for rise/fall time ≤100ns; 1ns for rise/fall >100ns and ≤2µs; 10ns for rise/fall >2µs and ≤40µs	
Width Range:	20ns to 2000s (20ns minimum for period ≤40s; 200 ns minimum for period >40s and ≤400s; 2µs minimum for period >400s)	
Width Resolution:	10ns for period ≤40s; 100ns for period >40s and ≤400s; 1µs for period >400s	
Delay Range:	0ns to 2000s	
Delay Resolution:	10ns for period ≤40s; 100ns for period >40s and ≤400s; 1µs for period >400s	

## ARBITRARY WAVEFORMS

### In-built Arbitrary Waveforms

Sine, Exponential Rise, Logarithmic Rise, DC, Positive and Negative Ramps and Square waveforms are built-in and always present.

Additional waveforms are supplied on disc (Cardiac, Gaussian, Exponential Fall, Logarithmic Fall).

### User defined Arbitrary Waveforms

Up to 4 additional or user defined waveforms may be stored in non-volatile memory. Waveforms can be defined by downloading of waveform data via USB memory stick, remote interfaces, or editing via the instrument's front panel.

Waveform Size:	2 points to 131072 points (128k).
Memory Size:	Up to 4 waveforms of up to 64k points, or 2 waveforms of up to 128k points, (or 2 of 64k points plus 1 of 128k points).
External Storage:	Up to 1,000 waveforms per USB memory stick.
Vertical Resolution:	14 bits
Frequency Range:	1µHz to 10MHz (TG2511 - 1µHz to 6MHz)
Resolution:	1µHz, 14 digits
Output Level:	10mVp-p to 10Vpp into 50Ω
Sampling rate:	125MS/s
Output Filter:	Selects between 50MHz Elliptic or 20MHz Bessel filter depending on the waveform.

## Arbitrary Waveform Creation and Editing

Waveform creation and editing is provided within the generator including point insertion, line drawing and interpolation.

### WAVEFORM MANAGER PLUS

Both generators are supplied with Waveform Manager Plus. This Windows\* based software provides a sophisticated tool set for the creation, editing and management of arbitrary waveforms. The waveforms can be transferred to the generator either using a USB memory stick, or by the digital interfaces.

## NOISE

Gaussian White Noise can be added to any carrier waveform except pulse, square and noise itself. Note however that noise can be added to the square wave available in the arbitrary menu. The amount of noise added can be specified as 0% to 50% of the amplitude of the carrier waveform. Noise can also be used as modulating waveform.

Bandwidth (-3dB):	20MHz typical.
Crest Factor:	5.27 (Vp/Vrms)
Output Level:	10mVp-p to 10Vpp into 50Ω

## INTERNAL FREQUENCY REFERENCE

Ageing Rate:	1ppm first year
Temp. Stability:	<1ppm over the specified temperature range

## MODULATION

### AM

Carrier Waveforms:	Sine, Square, Ramp, Arb
Modulation Source:	Internal/External
Internal Modulating Waveforms:	Sine, Square, Up Ramp, Down Ramp, Triangle, Noise, DC, Sinc, Exponential Rise, Logarithmic Rise and User Defined Arbs
Internal Modulating Frequency:	1µHz to 20kHz, 1µHz resolution
Amplitude Depth:	0.0% to 120.0%, 0.1% resolution

### FM

Carrier Waveforms:	Sine, Square, Ramp, Arb
Modulation Source:	Internal/External
Internal Modulating Waveforms:	Sine, Square, Up Ramp, Down Ramp, Triangle, Noise, DC, Sinc, Exponential Rise, Logarithmic Rise and User Defined Arbs
Internal Modulating Frequency:	1µHz to 20kHz, 1µHz resolution
Frequency Deviation:	DC to Fmax/2, 1µHz resolution

### PM

Carrier Waveforms:	Sine, Square, Ramp, Arb
Modulation Source:	Internal/External
Internal Modulating Waveforms:	Sine, Square, Up Ramp, Down Ramp, Triangle, Noise, DC, Sinc, Exponential Rise, Logarithmic Rise and User Defined Arbs
Internal Modulating Frequency:	1µHz to 20kHz, 1µHz resolution
Phase Deviation:	-360.0 to +360.0 degrees, 0.1 degree resolution

### PWM

Carrier Waveforms:	Pulse
Modulation Source:	Internal/External
Internal Modulating Waveforms:	Sine, Square, Up Ramp, Down Ramp, Triangle, Noise, DC, Sinc, Exponential Rise, Logarithmic Rise and User Defined Arbs
Internal Modulating Frequency:	1µHz to 20kHz, 1µHz resolution
Width Deviation:	0% to 100% of pulse width, resolution same as of pulse width

### FSK

Carrier Waveforms:	Sine, Square, Ramp, Arb
Source:	Internal/External (via TRIG IN)
Internal Modulation:	50% duty cycle square (2mHz to 100kHz)

### Triggered Burst

Each active edge of the trigger signal will produce one burst of the waveform.

Carrier Waveforms:	Sine, Square, Ramp, Arb, Pulse
Maximum Carrier Frequency:	10MHz (finite cycles), 50MHz (infinite), subject to carrier waveform.
Number of Cycles:	1 to 1,048,575 and infinite.
Trigger Rep. Rate:	2mHz to 1MHz internal dc to 1MHz external.
Trigger Source:	Internal from keyboard or trigger generator. External from TRIG IN or remote interface.
Start/Stop Phase:	-360.0 to +360.0 degrees, 0.1 degree resolution.

### Gated

Waveform will run while the Gate signal is true and stop while false.

Carrier Waveforms:	Sine, Square, Ramp, Arb, Pulse, Noise
Maximum Carrier Frequency:	10 MHz, subject to carrier waveform
Trigger Rep. Rate:	2mHz to 1MHz internal, dc to 1MHz external.
Gate Signal Source:	Internal from keyboard or trigger generator. External from TRIG IN or remote interface.
Start/Stop Phase:	-360.0 to +360.0 degrees, 0.1 degree resolution.

### Sweep

Frequency sweep capability is provided for both standard and arbitrary waveforms.	
Carrier Waveforms:	All standard and arbitrary except pulse.
Sweep Mode:	Linear or logarithmic, triggered or continuous.
Sweep Direction:	Up, down, up/down or down/up.
Sweep Range:	From 1µHz to 50MHz, subject to carrier waveform. Phase continuous. Independent setting of the start and stop frequency.
Sweep Time:	1ms to 500s (6 digit resolution).
Marker:	Variable during sweep.
Trigger Source:	The sweep may be free run or triggered from the following sources: Internal from keyboard or trigger generator. Externally from TRIG IN input or remote interface.

# TG5011 & TG2511 - Technical Specifications (continued)

## Trigger Generator

Internal source 2MHz to 1MHz square wave adjustable in 1us steps, 9 digit resolution. Available for external use from the SYNC OUT socket.

### OUTPUTS

#### Main Output

Output Impedance: 50  $\Omega$   
Amplitude: 20mV to 20Vp-p open circuit (10mV to 10Vp-p into 50  $\Omega$ ). Amplitude can be specified open circuit (hi Z) or into an assumed load of 1  $\Omega$  to 10k  $\Omega$  in Vpk-pk, Vrms or dBm.  
Amplitude Accuracy: 2%  $\pm$ 1mV at 1kHz into 50  $\Omega$ .  
DC Offset Accuracy: Typically 3%  $\pm$ 10mV.  
Resolution: 3 digits or 1mV for both Amplitude and DC Offset.

#### Sync Out

Multifunction output user definable or automatically selected to be any of the following:

Carrier Waveform Sync: The function varies with waveform type as follows:

*Sine/Ramp/Pulse* - A square wave with 50% duty cycle at the waveform frequency.

*Square* - A square wave with same duty cycle as the main output at the waveform frequency.

*Arbs* - A square wave with 50% duty cycle at the waveform frequency. The sync is a TTL high when the first point of the waveform is output. Noise - No sync associated with noise.

Modulation Sync: The function varies with modulation type as follows:

*AM/FM/PM/PWM* - A square wave with 50% duty cycle referenced to the internal modulation waveform when modulation source is internal, or a square wave referenced to the carrier waveform when modulation source is external. No sync is associated with noise as the modulation source.

*FSK* - A square wave referenced to the trigger rate. The sync is a TTL high when hop frequency is the output frequency and TTL low when carrier frequency is the output frequency for positive slope and vice versa for negative slope.

Burst Sync: A square wave that is a TTL high when the burst begins and a TTL low when burst is completed.

Trigger: Selects the current trigger signal. Useful for synchronizing burst or gated signals.

Sweep Sync: The function varies with marker selection as follows:

*Marker Off* - A square wave that is a TTL low from the midpoint of the sweep and a TTL high from the end of the sweep.

*Marker On* - A square wave that is a TTL low from the marker frequency and a TTL high from the end of the sweep.

Output Signal Level: Logic level nominally 3V.

#### Ref Clock Output

Buffered version of the 10MHz clock currently in use (internal or external)

Output Level: Nominally 3V logic level from 50  $\Omega$ .

### INPUTS

#### Trig In

Frequency Range: DC - 1MHz.  
Signal Range: Threshold nominally TTL level; maximum input  $\pm$ 10V.  
Minimum Pulse Width: 50ns  
Polarity: Selectable as high/rising edge or low/falling edge.  
Input Impedance: 10k  $\Omega$

#### External Modulation Input (for AM, FM, PM, PWM)

Voltage Range:  $\pm$  5V full scale  
Input Impedance: 5k  $\Omega$  typical  
Bandwidth: DC to 20kHz

#### Ref Clock Input

Input for an external 10MHz reference clock

Voltage Range: 1Vpp - 5Vpp  
Maximum Voltage: +5V  
Minimum Voltage: -1V

### Phase Synchronising Two Generators

Two generators can be synchronised together to provide outputs at the same frequency (or harmonics) and with a phase difference.

The amplitude and phase of these outputs can also be modulated providing the capability to perform QAM and QPSK respectively.

It is also possible to synchronise more than two generators but the precision is not guaranteed.

Carrier Waveforms: Sine, Square, Ramp, Arb  
Phase: Range: -360.0 to +360.0 degrees  
Resolution: 0.1 degree  
Accuracy:  $< \pm$ 5ns

### BUS INTERFACES

Full digital remote control facilities are available through LAN and USB and optional GPIB interfaces.

LAN Interface: Ethernet 100/10base - T hardware connection.

LXI Compliance: LXI V1.2, Class C compliant.

USB Interface: Standard USB 2.0 hardware connection.

Implemented as virtual-COM port.

GPIB Interface: Conforming with IEEE-488.2 (option G only)

USB Flash Drive: Front mounted socket for waveform and setup storage/recall.

### Driver Software Supplied

IVI Driver: An IVI driver for Windows is supplied. This provides support for common applications such as LabView\*, LabWindows\*, HPVee\* etc.

LV/CVI Driver: Full installation for CVI and LabVIEW instrument drivers.

USB Driver: An installation file is supplied calling a standard Windows\* USB driver.

\* LabView and LabWindows are trademarks of National Instruments.

HPVee (now Agilent VEE) is a trademark of Agilent Technologies.

\* USB interface is supported for Windows 2000, XP, Vista and Windows 7.

Windows is a trademark of Microsoft.

### GENERAL SPECIFICATIONS

#### Display and Data Entry

Display: Type: Monochrome Graphics Display - pixel format: 256 x 112

Data Entry: Keyboard selection of mode, waveform etc.; value entry direct by numeric keys or by rotary control.

Stored Settings: Up to 9 complete instrument set-ups may be stored and recalled from non-volatile memory. Up to 1000 set-ups can be stored per USB stick.

#### AC Supply

AC Input: 110-240VAC  $\pm$ 10% 50/60Hz; 100-120VAC  $\pm$ 10% 400Hz; 60VA max. Installation Category II.

#### Temperature & Environmental

Operating Range: +5°C to +40°C, 20% to 80% RH

Storage Range: -20°C to +60°C

Environmental: Indoor use at altitudes up to 2000m, Pollution Degree 2.

#### Safety & EMC

Safety: Complies with EN61010-1

EMC: Complies with EN61326

#### Physical

Size: Bench top use: 97mm height; 250mm width; 270mm long, Rack mounted use: 86.5mm (2U) height; 213.5mm (1/2-rack) width; 244mm long

Weight: 2.55 kg

### OPTIONS

#### Rack Mount (RM200A)

19 inch 2U rack mount suitable for one or two generators.

#### GPIB Interface (Option G)

Option G adds a GPIB (IEEE-488) interface. This is a factory-fit option only.

### ORDERING INFORMATION

Four versions of the product are available as follows:

TG2511 - 25MHz Generator with USB and LAN interfaces only.  
TG2511G - 25MHz Generator with USB, LAN and GPIB interfaces.  
TG5011 - 50MHz Generator with USB and LAN interfaces only.  
TG5011G - 50MHz Generator with USB, LAN and GPIB interfaces.

Each product is supplied with the following:

Printed operating manual in English, French, German, Italian and Spanish with remote programming instruction in English only. PDF operating manuals on disk (including remote programming instruction) in English, French, German, Italian and Spanish.

IEC mains lead appropriate to the geographic market in which it is sold.

Software on disk including: Waveform Manager for Windows, IVI driver, LabView driver, CVI driver, USB driver, LXI discovery tool, TCP example program.

Specifications apply for the temperature range 18°C to 28°C after 30 minutes warm-up, at maximum output into 50  $\Omega$  unless otherwise stated.

Thurlby Thandar Instruments Ltd. operates a policy of continuous development and reserves the right to alter specifications without prior notice.

Part of the Aim-TTI group of companies.

National web sites: [www.tti.eu](http://www.tti.eu) | [www.tti.co.uk](http://www.tti.co.uk) | [www.tti.us.com](http://www.tti.us.com)

Available from:



C/ IKEA, 51 - LOCAL B - 48940 LEIOA - VIZCAYA

TFNO.: 944803040 - FAX: 944348191

Email: [isotest@isotest.es](mailto:isotest@isotest.es)

<http://www.isotest.es>

Designed and built in Europe by:



Thurlby Thandar Instruments Ltd.

Glebe Road, Huntingdon, Cambridgeshire. PE29 7DR United Kingdom

Tel: +44 1480 412451 Fax: +44 1480 450409